

500-EXCELLENT SERIES MC-MODELS



- A heavy duty free standing disposer for compact working area
- Disposer outlet can be positioned to suit existing drain installation
- Delivered ready for installation
- Det Norske Veritas Approval for compliance with MARPOL Annex V

The MC-models permits continuous feeding of waste into the disposer. The opening into the disposer is partly covered enabling food waste to enter the grinding unit but preventing accidental access to the rotating grinding unit during operation.

Designed to be installed as a separate unit, these disposers are delivered ready to be connected to existing flushing water, drainage and electrical supplies. The positioning of the wastewater outlet can be adjusted, when installing, to suit the position of the existing drain.

The angled safety cover over the opening into the grinding chamber allows continuous feeding of food waste into the disposer. The cover is fitted with a limit switch, which stops the disposer motor when the lid is removed. An interlock screw prevents access to the grinder during idle running period after the supply voltage has been switched off.

The Disperator 500 Excellent Series has Det Norske Veritas (DNV) Approval for compliance with IMO MARPOL 73/78 ANNEX V for disposal of ground food waste into the open sea.

Further details are specified overleaf.

Disperator AB

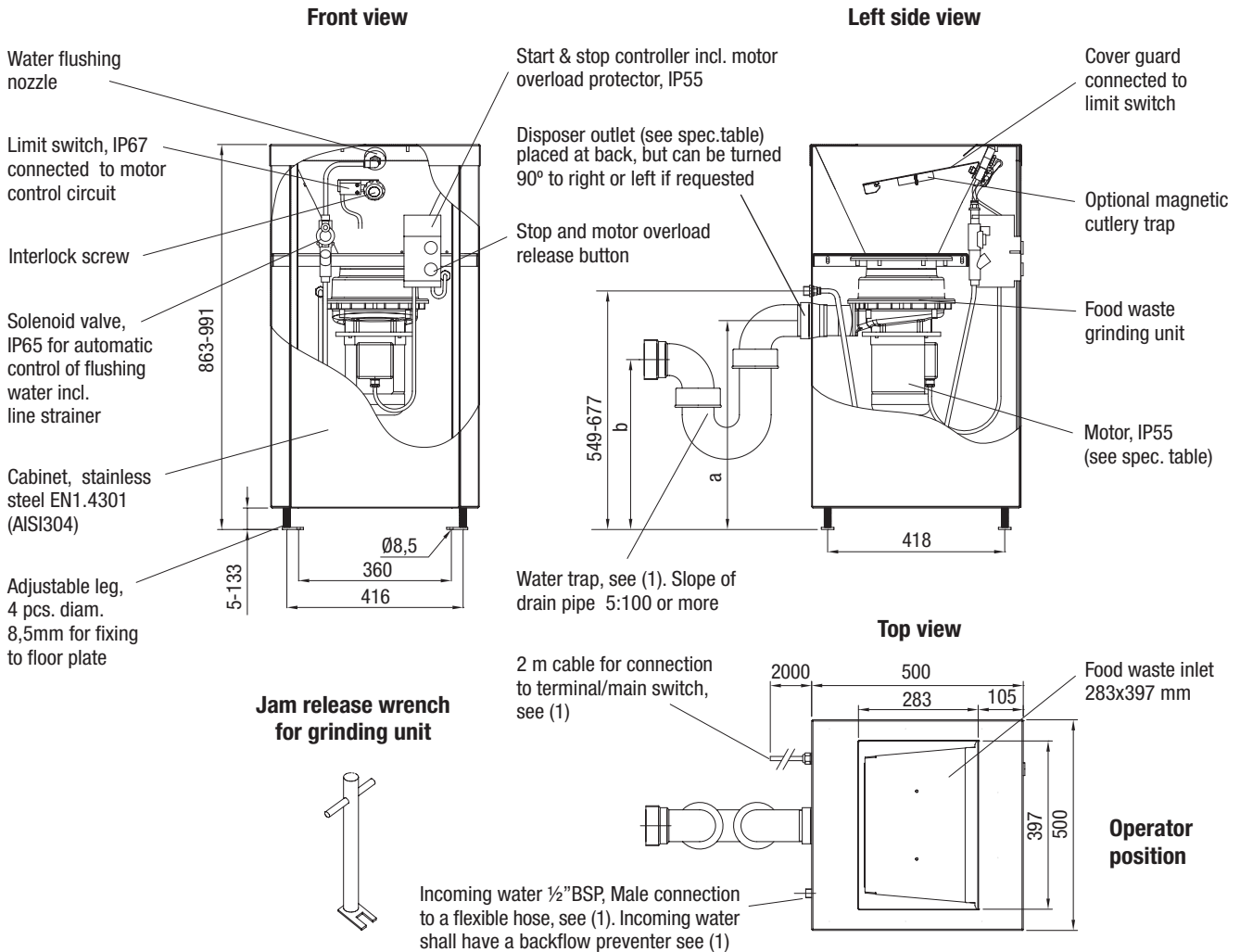
Mälurvägen 9, SE-141 71 Segeltorp, Sweden
 Tel +46 8 724 01 60, Fax +46 8 724 60 70
 info@disperator.se, www.disperator.se



MADE IN SWEDEN

Ref: MC/Prod/Eng/111024

500-EXCELLENT SERIES MC-MODELS



All measurements in mm

Technical Specification	510-MC	515-MC	520-MC	530-MC	550-MC	575-MC
Normal capacity, kg/hr	300	400	500	700	850	1000
Electrical power, kW	0,75	1,1	1,5	2,2	4,0	5,5
Rated current, A, for						
230V / 3ph / 50Hz	4,0	5,2	7,2	9,5	14,8	19,7
400V / 3ph / 50Hz	2,3	3,0	4,1	5,2	8,6	11,5
440V / 3ph / 60Hz	2,1	2,7	3,8	5,2	7,8	11,6
Other 3-ph voltages available	1-ph 220-240V, 50/60Hz also available for models 510 and 515					
Control voltage	Marine installation: the same as motor voltage. Land installation: 230V/50Hz					
Fuse rating, slow	10 A	10 A	10 A	16 A	16 A	25 A
Drainage outlet	2"	BSP,	Female	2 1/2"	BSP,	Female
Height of disposer outlet (a)	a = 501 – 629			a = 466 – 594		
Ditto for water trap (b)	b = 449 – 577			b = 434 – 562		
(if ordered from Disperator)						
Gross / net weight, kg	70 / 59	70 / 59	71 / 60	91 / 80	96 / 85	99 / 88

(1) Installation material needed but not incl. in standard delivery are terminal or main switch; flexible hose 1/2" BSP, Female; back-flow preventer and water trap. Can be ordered from DISPERATOR.

Installation, operation and service instructions are included in delivery together with this product leaflet.

Disperator AB

Mälärvägen 9, SE-141 71 Segeltorp, Sweden
 Tel +46 8 724 01 60, Fax +46 8 724 60 70
 info@disperator.se, www.disperator.se